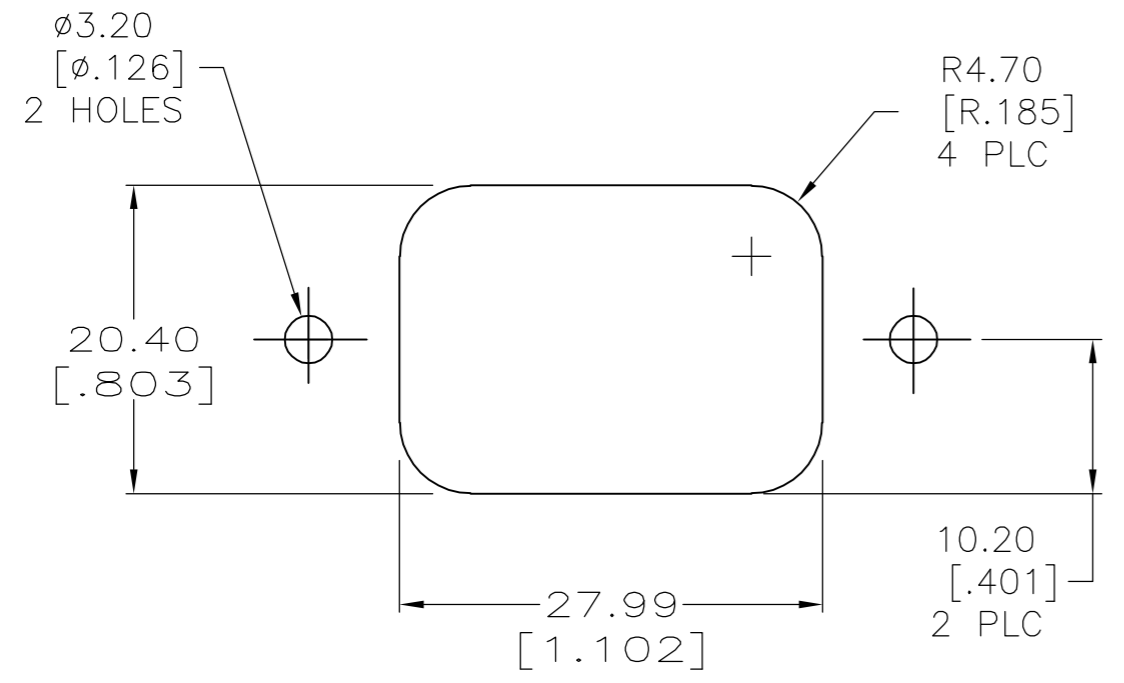
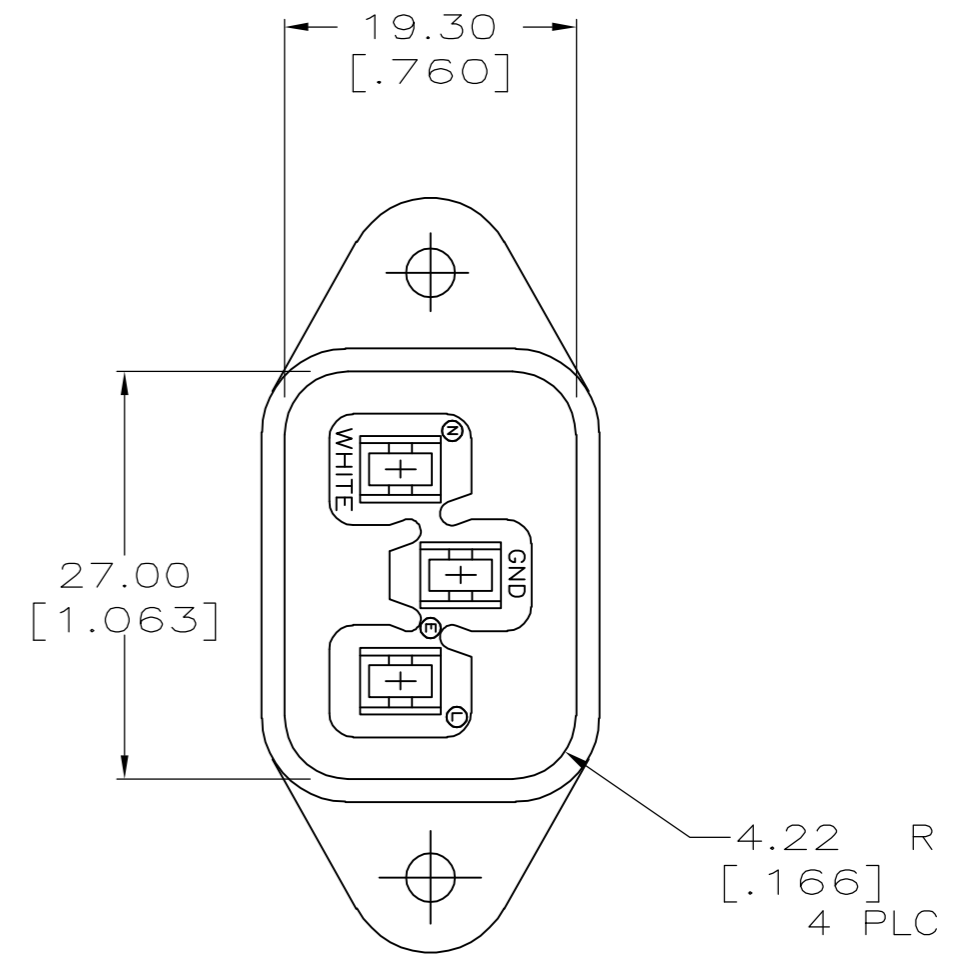
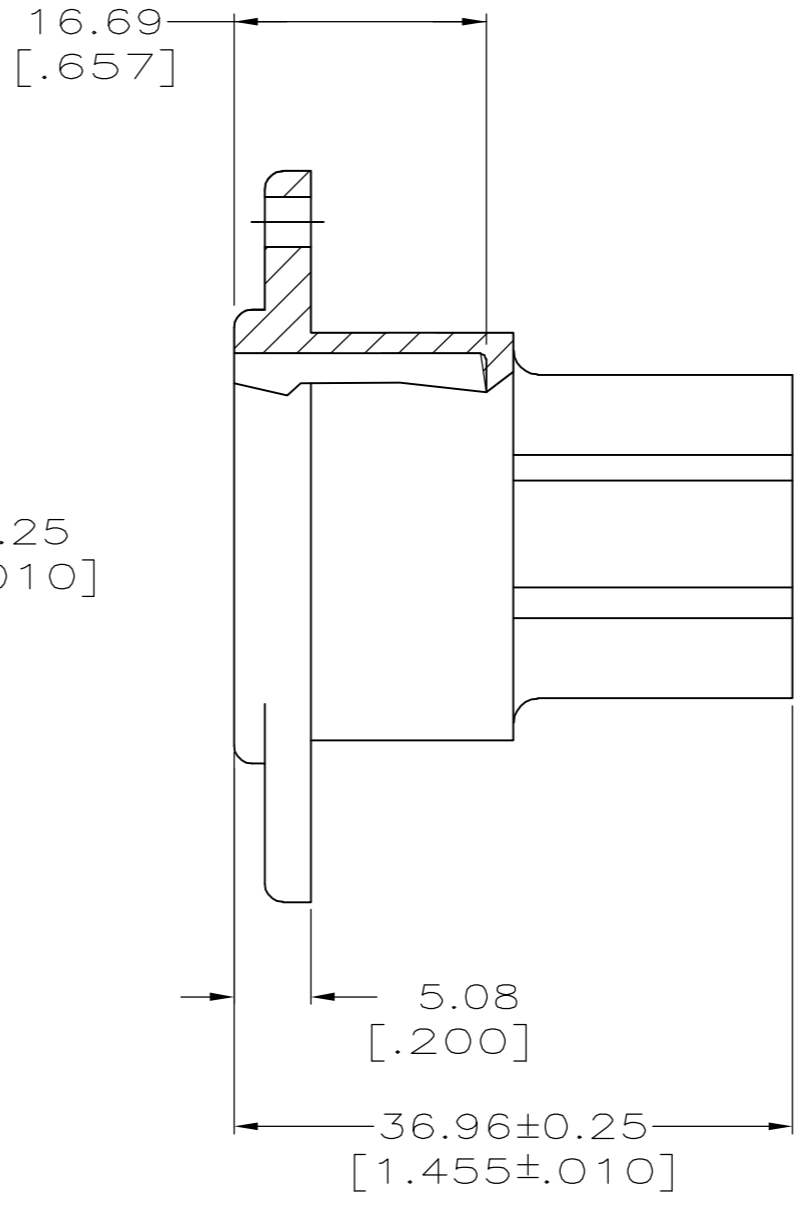
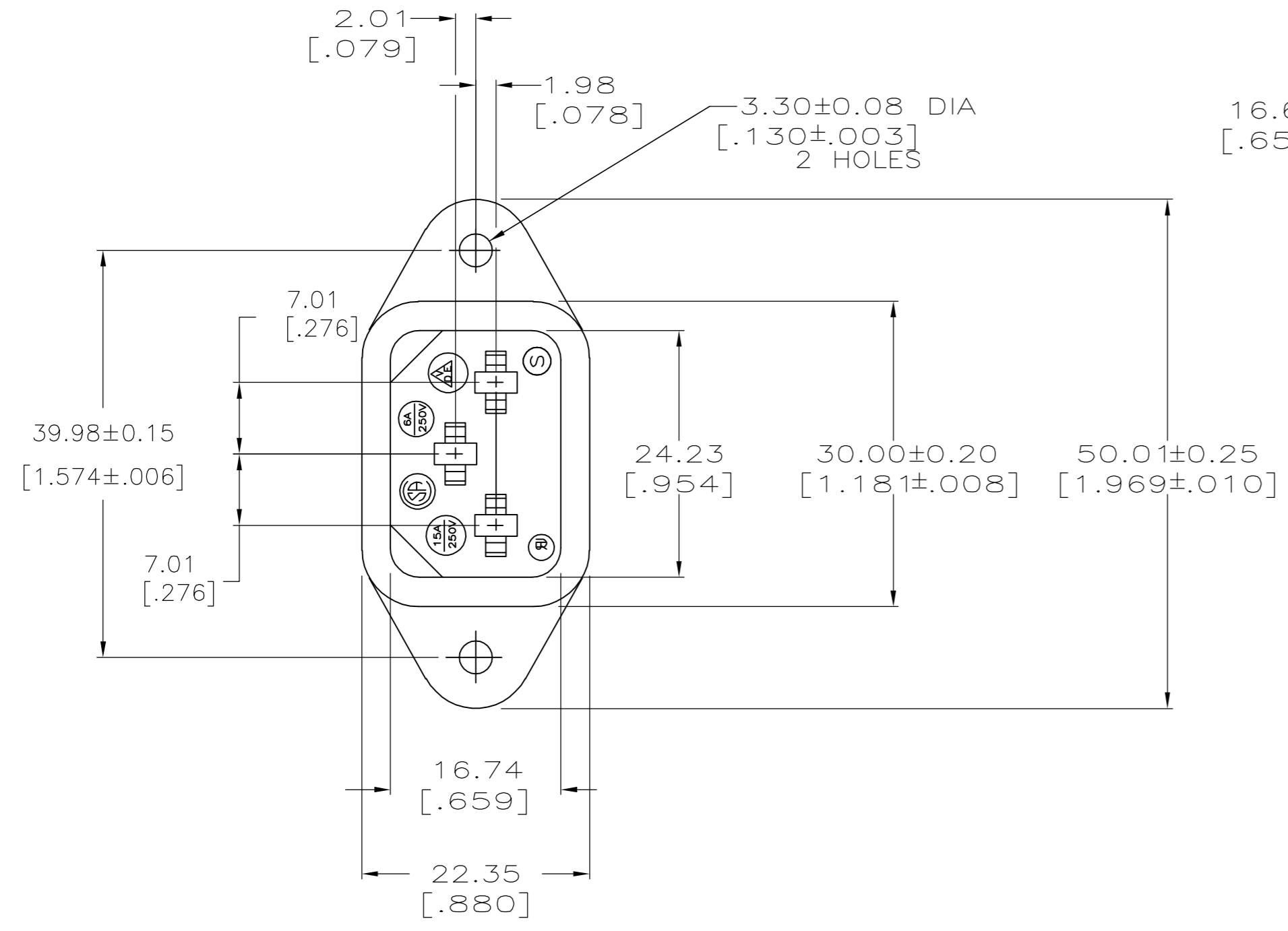


THIS DRAWING IS UNPUBLISHED. RELEASED FOR PUBLICATION
 © COPYRIGHT BY TYCO ELECTRONICS CORPORATION. ALL RIGHTS RESERVED.

LOC	DIST	REVISIONS			
P	LTR	DESCRIPTION	DATE	DWN	APVD
FT	0	M	REVISED PER ECO-07-003222	2/12/07	SS SH



RECOMMENDED PANEL OPENING

1 MATERIAL: PLYESTER, UL94V-0 RATED, GLASS FILLED, BLACK.

THIS DRAWING IS A CONTROLLED DOCUMENT.		DWN H.MOLL 04-18-91	Tyco Electronics Corporation Harrisburg, PA 17105-3608		
DIMENSIONS: mm		CHK R.STONE 05-09-91			
TOLERANCES UNLESS OTHERWISE SPECIFIED:		APVD -	NAME		
0 PLC ± - 1 PLC ± - 2 PLC ± 0.13[.005] 3 PLC ± - 4 PLC ± - ANGLES ± - FINISH -		PRODUCT SPEC -	RECEPTACLE, POWER CORD		
MATERIAL - 1		APPLICATION SPEC -	SIZE A2	CAGE CODE 00779	DRAWING NO C=206637
		WEIGHT -	RESTRICTED TO -		
		CUSTOMER DRAWING	SCALE 2:1	SHEET 1 of 1	REV M

206637-1
PART NUMBER

206637